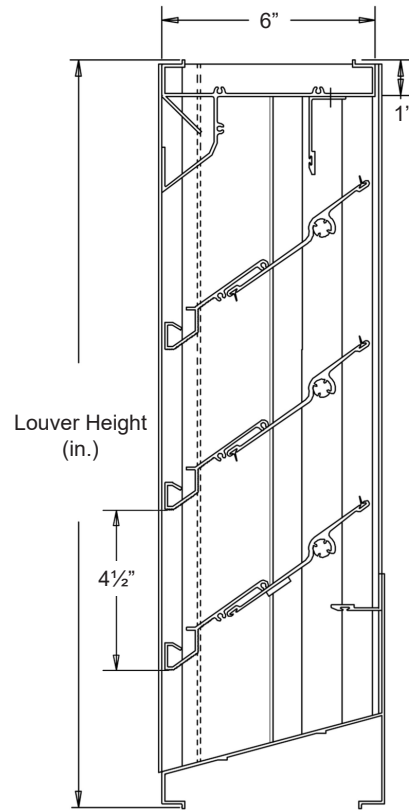


Extruded Aluminum Louver • 6" Deep • 35° Drainable Blades • Combination Adjustable • Concealed Mullion

STANDARD CONSTRUCTION

- FRAME:** .081" thk. (nominal) extruded aluminum 6063-T52/T6 alloy.
- BLADES:** Stationary blades are .081" thk. (nominal) extruded aluminum 6063-T52/T6 alloy. Adjustable Blades are made from .125" thk. (nominal) extruded aluminum 6063-T52/T6 alloy. Blades are approximately 4½" on centers.
- LOUVER FACE:** Full width sill with head and blades contained within jambs. Concealed mullion with continuous length stationary blade.
- LINKAGE:** Extruded aluminum, concealed in the channel out of the airstream. The pivots, which rotate in Celcon bearings, are ½" dia. plated and machined steel. The pivot is locked to the 5/16" dia. aluminum linkage rod by a ¼ - 20 set screw with epoxy locking patch.
- BEARINGS:** Celcon bearing material so there will be no metal to metal friction.
- SHAFT:** ½" dia. aluminum "Pin-Lock" rod.
- SEALS:** Extruded silicone rubber seals at blade edge. Foam on bottom blade. Stainless steel at jambs.
- SCREEN:** (When indicated, in a removable frame)
 ½" flattened aluminum, .051" thk.,
 -or- Insect screen 18/16 aluminum mesh, .011" dia.,
 -or- ½" sq. mesh intermediate double crimped aluminum wire, .063" dia.
- FINISH:** Mill.
- ACTUATOR:** 120 VAC spring return normally closed.
 133 in-lbs. torque.



OPTIONS

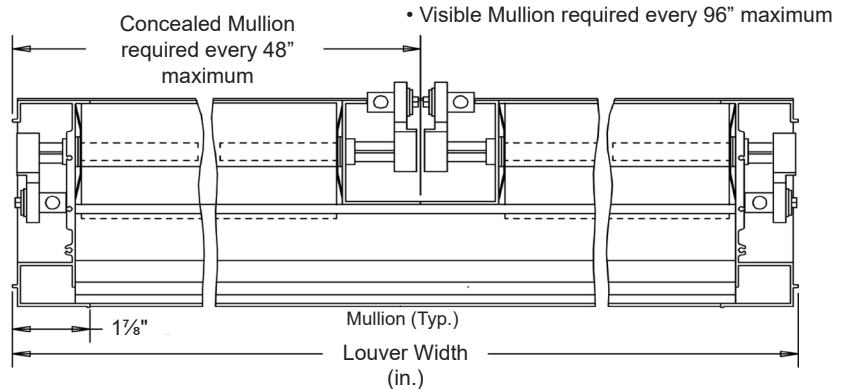
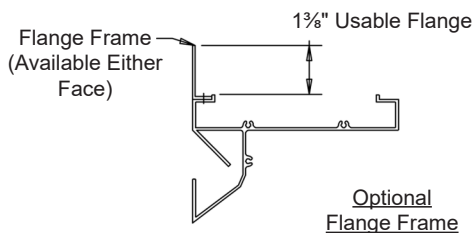
Finishes - Enamels, Epoxies, etc.
 Other screens available.
 Actuators - Electric, Pneumatic, Manual, etc.

NOTES

1. Nominal deductions will be made to the opening size given.
2. Approximate shipping weight is 5.7 lbs./sq.ft.

LOUVER SIZES

Min Panel	Max Single Panel
12"W x 12"H	96"W x 72"H



Item #	Qty	Opening Size		Louver Size		Mullion	Screens		Union Made
		Width	Height	Width	Height		Type	Location	
Arch. / Eng. :						EDR:	ECN:	Job:	
Contractor:									
Project:						Date:	DWN:	DWG:	

In the interest of product development, Louvers & Dampers reserves the right to make changes without notice.

www.louvers-dampers.com

450 Riverside Drive • Wyalusing PA, 18853 • Phone 570-746-1888 • Fax 570-746-9286

